



# AUMSHIVAY ENGINEERING PRIVATE LIMITED

- B-21, Bhan Nagar, Queens Road, Jaipur-302021
- Website: [www.aumshivay.com](http://www.aumshivay.com), [www.omengineering.in](http://www.omengineering.in)
- E-mail: [admin@aumshivay.com](mailto:admin@aumshivay.com)

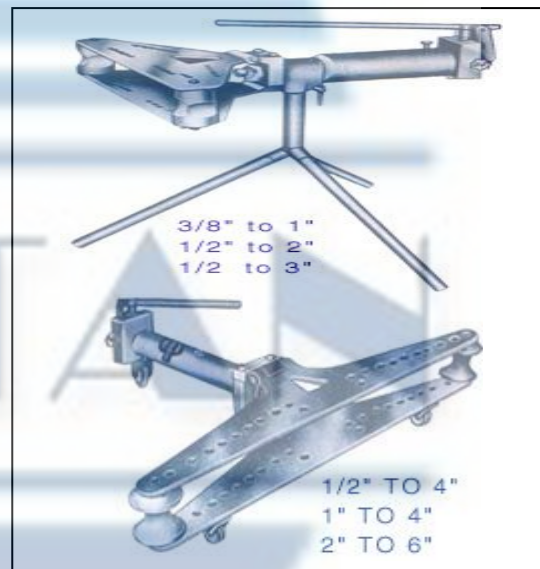
## HYDRAULIC PIPE BENDING MACHINE



**"HYDROBEND" HYDRAULIC PIPE BENDING MACHINES;** We deals in Hydrobend "HYDRAULIC PIPE BENDING MACHINES" which are used for bending Pipes. These Pipe Bendings Machines are available in many types such as HAND OPERATED, EJECTOMATIC TYPE HAND OPERATED, MOTORIZED AND MOTORIZED ELECTOMATCI PIPE BENDING MACHINES. These machines are comes with guarantee and it has pipe bending dies of various sizes ranging from 3/8" to 1", 1/2" to 2" and 1/2" to 3".

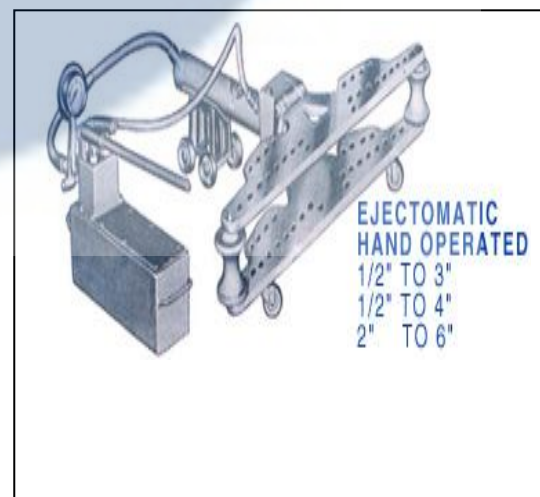
**"HYDROBEND" HYDRAULIC HAND OPERATED PIPE BENDING MACHINE;** HYDROBEND Hand Operated Pipe Bending Machine available in 3/8" to 6" Capacity.

Capacity	Pressure (in Tons)	Formers of C" class pipes	Extension PC	Standard Accessories
3/8" to 1"	10	3/8", 1/2", 3/4", & 1"	-x-	Two Dolly Blocks with Pins and three leg Stand
1/2" to 2"	15	1/2", 3/4", 1", 1.1/4", 1.1/2" & 2"	-x-	Two Dolly Blocks with Pins and three leg Stand
1/2" to 3"	15	1/2", 3/4", 1", 1.1/4", 1.1/2", 2, 2.1/2" & 3"	Yes	Two Dolly Blocks with Pins and three leg Stand
1/2" to 4"	20	1/2", 3/4", 1", 1.1/4", 1.1/2", 2, 2.1/2", 3", 4"	Yes	Two Dolly Blocks with Pins and on Castor Wheels.
2" to 6"	30	2", 2.1/2", 3", 4", 5" & 6"	Yes	Two Dolly Blocks with Pins and on Castor Wheels.



**"HYDROBEND" EJECTOMATIC TYPE HAND OPERATED PIPE BENDING MACHINE;** HYDROBEND Ejectomatic type Hand Operated Pipe Bending Machine available in 3", 4" & 6" capacity.

Capacity	Pressure (in Tons)	Formers of C" class pipes	Extension PC	Standard Accessories
1/2" to 3"	15	1/2", 3/4", 1", 1.1/4", 1.1/2", 2, 2.1/2" & 3"	Yes	Two Dolly Blocks with Pins and three leg Stand
1/2" to 4"	20	1/2", 3/4", 1", 1.1/4", 1.1/2", 2, 2.1/2", 3", 4"	Yes	Two Dolly Blocks with Pins and on Castor Wheels.
2" to 6"	30	2", 2.1/2", 3", 4", 5" & 6"	Yes	Two Dolly Blocks with Pins and on Castor Wheels.



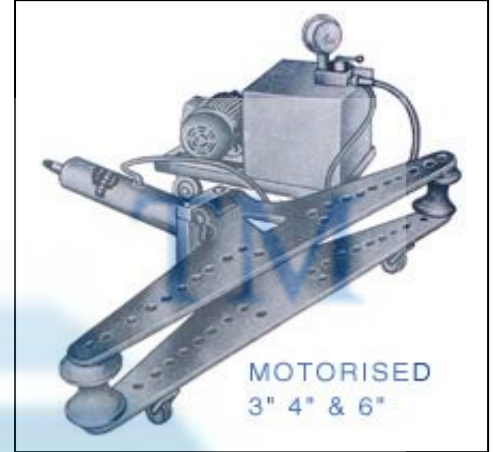


# AUMSHIVAY ENGINEERING PRIVATE LIMITED

- B-21, Bhan Nagar, Queens Road, Jaipur-302021
- Website: [www.aumshivay.com](http://www.aumshivay.com), [www.omengineering.in](http://www.omengineering.in)
- E-mail: [admin@aumshivay.com](mailto:admin@aumshivay.com)

**"HYDROBEND" MOTORIZED HYDRAULIC PIPE BENDING MACHINE;** These "HYDROBEND" Motorized Pipe Bending Machine are available with H.P of Motor with Starter and the capacity these Pipe Bending Machines are 3", 4" & 6" capacity.

Capacity	Pressure (in Tons)	Formers of C" class pipes	Extension PC	H.P of the Motor with Starter	Standard Accessories
1/2" to 3"	15	1/2", 3/4", 1", 1.1/4", 1.1/2", 2, 2.1/2" & 3"	Yes	2	Two outer Dolly Blocks with Pins and on Castor Wheels, Extension Pipe, Electric Motor, Starter & Reverse Switch
1" to 4"	20	1", 1-1/4", 1-1/2", 2", 2-1/2", 3" & 4"	Yes	2	
2" to 6"	30	2", 2.1/2", 3", 4", 5" & 6"	Yes	3	



**"HYDROBEND" MOTORIZED EJECTOMATIC HYDRAULIC PIPE BENDING MACHINES;** "HYDROBEND" Motorized "Ejecto-matic" Hydraulic Heavy Duty Bench Type Pipe Bending Machine are of hydraulic pressure 45 Tons, ideally suitable to bend pipes upto 8", had attached dolly blocks with pins, on Castor Wheels with 5 H.P. Motor Starter Extension Piece and Reversing Switch. Ejecting device for pipes available at extra price in Motorized Machines.

Capacity	Pressure (in Tons)	Formers of C" class pipes	Extension PC	H.P of the Motor with Starter	Standard Accessories
2"	45	2"	Yes	5	Two outer dolly blocks with pins, on Castor Wheels with 5 H.P. Motor Starter Extension Piece and Reversing Switch. 8" Motorised Machine with ejecting device only.
2-1/2"	45	2.1/2"	Yes	5	
3"	45	3"	Yes	5	
4"	45	4"	Yes	5	
5"	45	5"	Yes	5	
6"	45	6"	Yes	5	
8"	45	8"	Yes	5	

