



- B-21, Bhan Nagar, Queens Road, Jaipur-302021
- Website: www.aumshivay.com, www.omengineering.in
- E-mail: admin@aumshivay.com

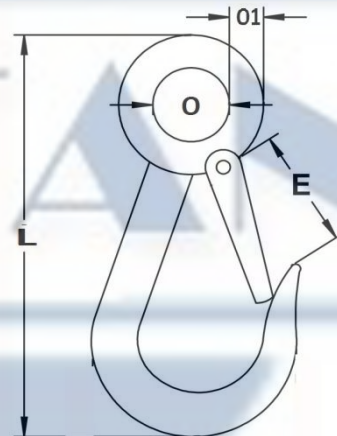
Eye Hook



TM

Eye Hooks; Eye Hooks are a hook with a snapping lock to secure it's load to the hook. These Hooks are 100% proof tested and can be used with both grade 80 & 100 chains. On an eye hook, a chain or fittings are welded for a permanent connection to the sling. With an eye hook, you get far more flexibility in terms of movement and ergonomics to position the hook and attach it to the load. However, an eye hook is a permanent solution—if the throat of the hook becomes stretched, cracked, or bent during use, the whole sling would have to be failed out upon inspection and removed from service.

Weight (Kg)	Working Load Limit (Ton)	B.L (Ton)	Dimensions (mm)			
			O1	E	O	L
0.30	1.12	4.5	9	24	20	108
0.40	2.00	8.0	11	30	25	133
0.90	3.15	12.6	15	34	38	167
1.70	5.30	21.2	19	39	43	213
3.20	8.00	32.0	23	46	50	255
5.80	12.50	50.0	24	40	62	305
8.50	15.00	60.0	32	71	62	348
13.00	21.20	84.8	35	81	64	394
17.00	31.50	126.0	37	102	88	480



Feature:

- Hooks are designed for use with Grade 80 and 100 alloy steel chain and wire rope.
- Safety latch attached with hook to prevent from disengaging.
- The feature of this hook is wide opening.
- Capacity : Working Load Limit is 1 to 31 Ton.
- Material : High Tensile Forged Alloy Steel.
- Construction : Heat treatment and high temperature treatment (Quenched and Tempered).
- Safety Factor : 4 : 1





AUMSHIVAY ENGINEERING PRIVATE LIMITED

- B-21, Bhan Nagar, Queens Road, Jaipur-302021
- Website: www.aumshivay.com, www.omengineering.in
- E-mail: admin@aumshivay.com

Important Safety Information Read and Follow;

- Always inspect hook before using.
- Never use latch that is distorted or bent
- Always make sure spring will force the latch against the tip of the hook
- Always make sure hook supports the load. The latch must never support the load.
- When placing two (2) sling legs in hook, make sure the angle between legs is small enough and the legs are not tilted so that nothing bears against the bottom of the latch.
- Latches are intended to retain loose sling or devices under slack conditions.
- Latches are not intended to be anti-fouling device.

KRISTAN

